

HD34 / FD34 Square Truss

Square Trussing with a square profile geometry for larger loads.

Square Trussing for Heavy loads

HD34 / FD34 SQUARE TRUSS

HD34 / FD34 with excellent load capacity on free spans of 18m / 16m or to be used as tower elements:

HD34 / FD34 straight elements lend themselves to use as span exposed to bending stress resistant span up to 18m / 16m or as standard tower element.

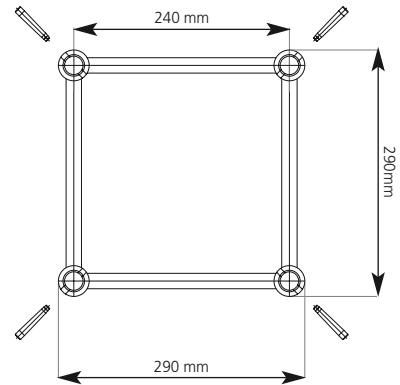
HD34 using the 3mm wall thickness assures durability and extra strength. Desi-

gned for high frequency usage or installations, which demands higher loading.

Ideal trussing system for rental, touring and exhibition companies.

Made with the fast connection system and approved according the DIN 4113 specifications by the TUV.

Dimensions HD34 / FD34



HD34 TRUSS

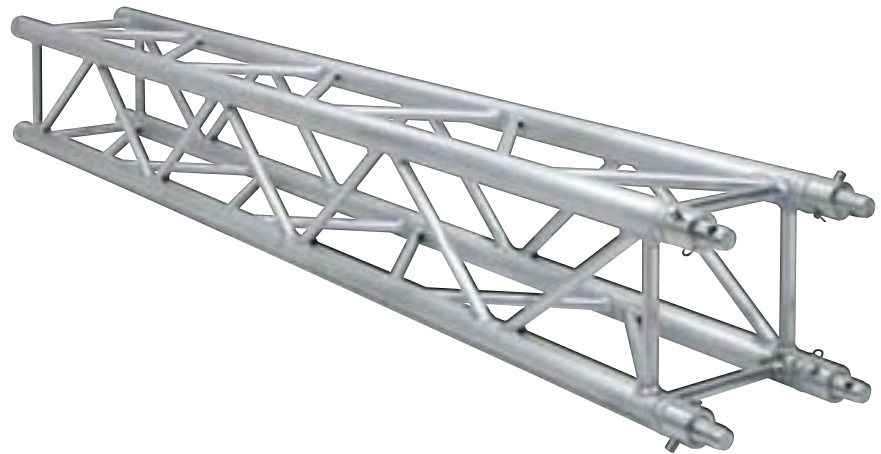
FACTS

- Increased wall thickness of 3mm for 50mm main tubes
- Increased loading compared to FD34 (up to 50%)
- Also usable as HD34 Tower Truss
- TuV approved

FD34 TRUSS

FACTS

- Tolerance free conical connector
- Wall thickness of 2mm for 50mm main tubes
- Also available in any non-standard length and shape
- TuV approved



HD/FD44

HD/FD43

HD/FD42

HD/FD34

HD/FD33

HD/FD32

Measurements: HD34 FD34 Loadcases HD34

	HD34	FD34	Length (m)	5	6	8	10	12	14	16	18
Main tube:	50x 3mm	50x 2mm	CPL in kg	1195	990	730	571	463	384	322	273
Braces:	20x 2mm	20x 2mm	Deflection (mm)	17	25	44	69	100	137	181	231
Material:	EN AW-6082 T6		UDL in kg/mtr	465	330	183	114	77	55	40	30
Connection:	CS1-CON		Deflection (mm)	21	30	52	80	112	148	185	223
Weight:	~7,5 kg/m	~6 kg/m									

HD34 / FD34 Square Truss

Example of a one level and a two level construction

HD34 / FD34 CORNER

These elements allow constructions in up to three levels, thus permitting almost limitless possibilities for the realization of creative ideas.

To avoid various corner problems or increasing strength in the corner parts, the universal cornerblock with bold on receivers in various lengths is the answer.

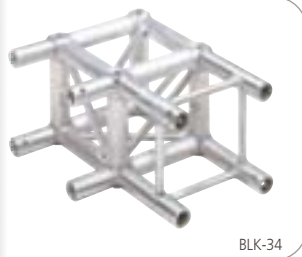
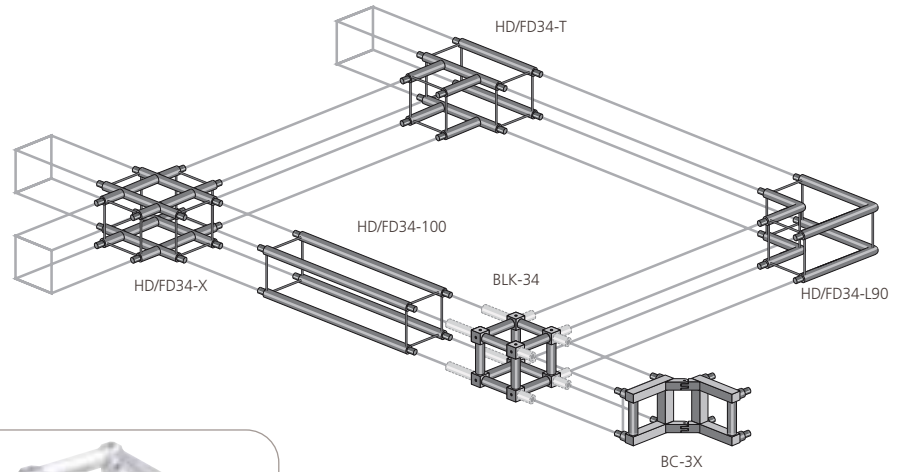
In the cornerblock as well as in the bold on receivers a small hole is drilled to match a spring pin so the position is determined. Easy to connect, safe and fully locked.

Complementary accessories and the article codes of the HD34 System can be found at the page 166. For FD34 System look at page 168.

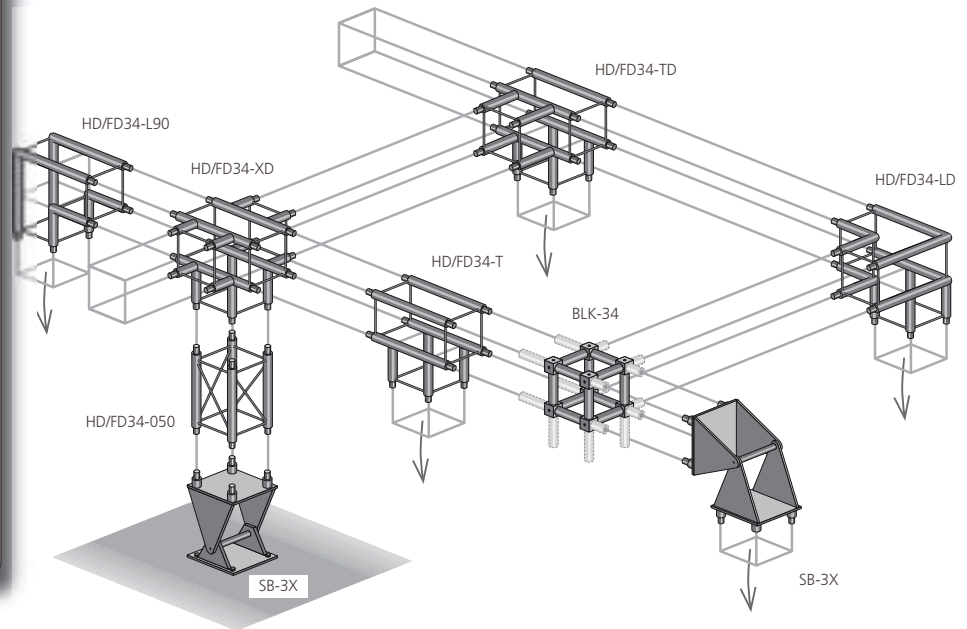
Measurement Corners for HD34 / FD34

Cornercode	Size in cm
HD/FD34-L45	100 x 100
HD/FD34-L60	100 x 100
HD/FD34-L90	50 x 50
HD/FD34-L120	50 x 50
HD/FD34-L135	50 x 50
HD/FD34-T	50 x 50
HD/FD34-X	50 x 50
HD/FD34-LD	50 x 50
HD/FD34-TD	50 x 50
HD/FD34-XD	50 x 50 x 50
HD/FD34-XUD	50 x 50 x 50
BLK-34	90° in 6 dir.
CS1-BOB105	105mm*
CS1-BOB210	210mm*
SC-3X	0-180°, Swivelcorner
SB-3X	0-180°, Swivelbase
BC-3X	0-180°, Bookcorner

One level construction

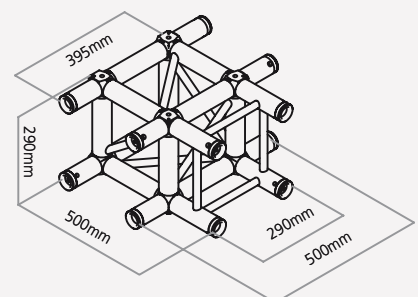


Two level construction



Loadcases FD34

Length (m)	4	6	8	10	12	14	16
CPL in kg	950	670	497	385	331	260	249
Deflection (mm)	10	25	44	70	105	141	202
UDL in kg/mtr	460	224	124	80	55	36	31
Deflection (mm)	12	31	54	88	128	166	243



*4 pcs. required for one attachment

HD/FD44
HD/FD43
HD/FD42
HD/FD34
HD/FD33
HD/FD32

HD34 / FD34 Square Truss

Square Trussing with a square profile geometry for larger loads.

Square Trussing for Heavy loads

HD34 / FD34 SQUARE TRUSS

HD34 / FD34 with excellent load capacity on free spans of 18m / 16m or to be used as tower elements:

HD34 / FD34 straight elements lend themselves to use as span exposed to bending stress resistant span up to 18m / 16m or as standard tower element.

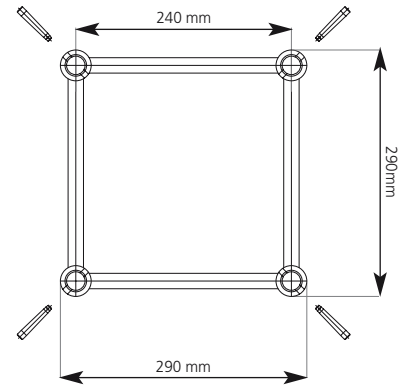
HD34 using the 3mm wall thickness assures durability and extra strength.

Designed for high frequency usage or installations, which demands higher loading.

Ideal trussing system for rental, touring and exhibition companies.

Made with the fast connection system and approved according the DIN 4113 specifications by the TUV.

Dimensions HD34 / FD34



HD34 TRUSS

FACTS

- Increased wall thickness of 3mm for 50mm main tubes
- Increased loading compared to FD34 (up to 50%)
- Also usable as HD34 Tower Truss
- TuV approved

FD34 TRUSS

FACTS

- Tolerance free conical connector
- Wall thickness of 2mm for 50mm main tubes
- Also available in any non-standard length and shape
- TuV approved



HD/FD44

HD/FD43

HD/FD42

HD/FD34

HD/FD33

HD/FD32

Measurements: HD34 FD34 Loadcases HD34

Measurements:	HD34	FD34	Length (m)	5	6	8	10	12	14	16	18
Main tube:	50x 3mm	50x 2mm	CPL in kg	1195	990	730	571	463	384	322	273
Braces:	20x 2mm	20x 2mm	Deflection (mm)	17	25	44	69	100	137	181	231
Material:	EN AW-6082 T6		UDL in kg/mtr	465	330	183	114	77	55	40	30
Connection:	CS1-CON		Deflection (mm)	21	30	52	80	112	148	185	223
Weight:	~7,5 kg/m	~6 kg/m									

HD34 / FD34 Square Truss

Example of a one level and a three level construction

HD34 / FD34

CORNER

These elements allow constructions in up to three levels, thus permitting almost limitless possibilities for the realization of creative ideas.

To avoid various corner problems or increasing strength in the corner parts, the universal cornerblock with bold on receivers in various lengths is the answer.

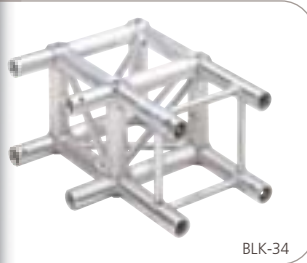
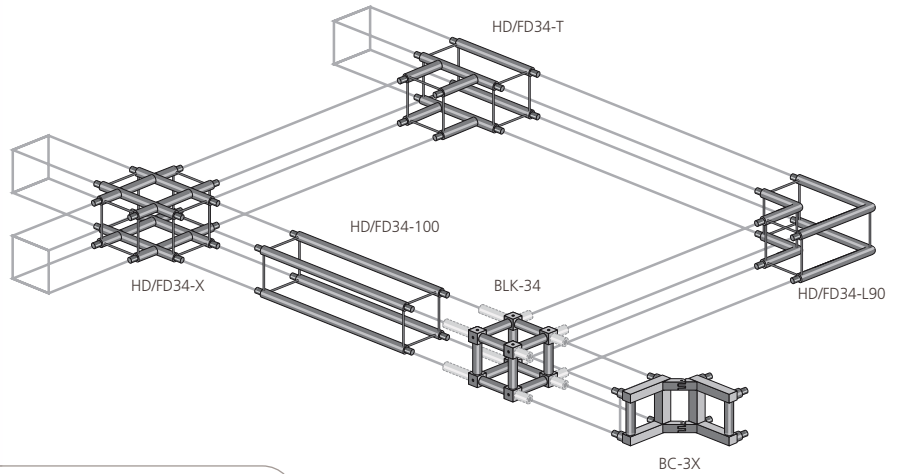
In the cornerblock as well as in the bold on receivers a small hole is drilled to match a spring pin so the position is determined. Easy to connect, safe and fully locked.

Complementary accessories and the article codes of the HD34 System can be found at the page 166. For FD34 System look at page 168.

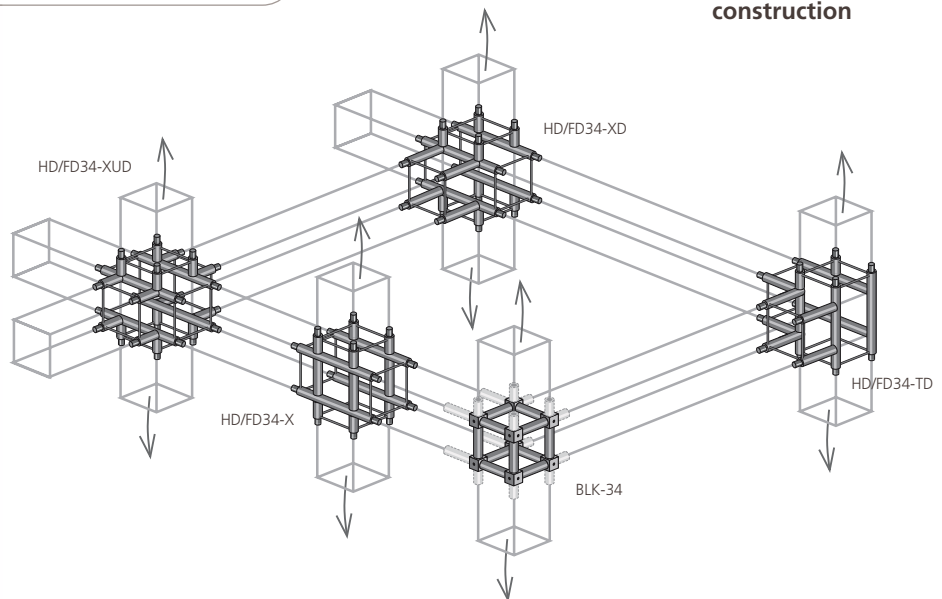
Measurement Corners for HD34 / FD34

Cornercode	Size in cm
HD/FD34-L45	100 x 100
HD/FD34-L60	100 x 100
HD/FD34-L90	50 x 50
HD/FD34-L120	50 x 50
HD/FD34-L135	50 x 50
HD/FD34-T	50 x 50
HD/FD34-X	50 x 50
HD/FD34-LD	50 x 50
HD/FD34-TD	50 x 50
HD/FD34-XD	50 x 50 x 50
HD/FD34-XUD	50 x 50 x 50
BLK-34	90° in 6 dir.
CS1-BOB105	105mm*
CS1-BOB210	210mm*
SC-3X	0-180°, Swivelcorner
SB-3X	0-180°, Swivelbase
BC-3X	0-180°, Bookcorner

One level construction

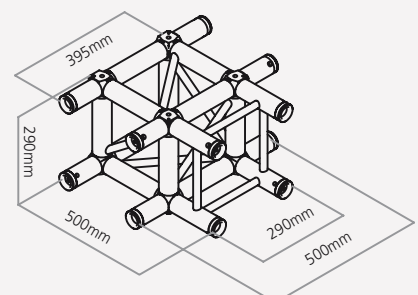


Three level construction



Loadcases FD34

Length (m)	4	6	8	10	12	14	16
CPL in kg	950	670	497	385	331	260	249
Deflection (mm)	10	25	44	70	105	141	202
UDL in kg/mtr	460	224	124	80	55	36	31
Deflection (mm)	12	31	54	88	128	166	243



*4 pcs. required for one attachment

HD/FD44
HD/FD43
HD/FD42
HD/FD34
HD/FD33
HD/FD32